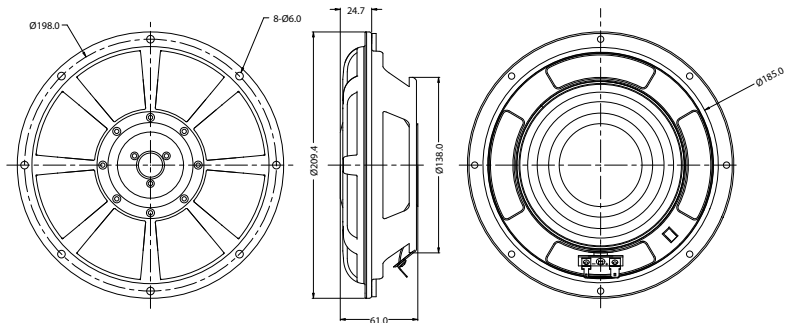


8 inch Subwoofer

- **Shallow design with front NRT motor**
- **Cast aluminum heatsink**
- **Low distortion**



Nominal Diameter 8 inches (203 mm)
 Nominal Impedance (Z) 4 ohms
 Sensitivity, 1W/1m (E) 84 dB @ 200 Hz
 Power Capacity, RMS (Pe) 100 W
 Power Capacity, Peak 400 W
 Frequency Range (-10dB) Fo - 3 kHz
 Minimum Impedance 4 ohms
 Voice Coil Diameter 49.5 mm
 Voice Coil Winding Length (h) 18 mm
 Voice Coil Number of Layers (n) 4
 Voice Coil Former Material Aluminum
 Voice Coil Wire Composition Copper
 Magnetic Material Neodymium radial
 Stray Flux Shielding Inherent
 Magnetic Gap Depth (He) 25 mm
 Cone Material Paper
 Surround Material Foam
 Polarity, Outward Motion Positive voltage on (+) terminal
 Net Weight 1.48 kg
 Maximum Excursion 40 mm peak to peak



Thiele / Small Parameters

Resonant Frequency (Fo) - Fs 35 Hertz
 Voice Coil DC Resistance - Re 2.65 ohms
 Total Q - Qts 0.26
 Mechanical Q - Qms 4.83
 Electrical Q - Qes 0.28
 Equivalent Volume of Air - Vas 17.1 L
 Radiating Piston Area - Sd 196 cm²
 Xmax 7 mm peak to peak

Electrical / Mechanical Parameters

Flux Density x Length - BL 11.7 Tesla-meters
 Compliance - Cms 316 m/N
 Total Mass - Mms 64.2 grams

