

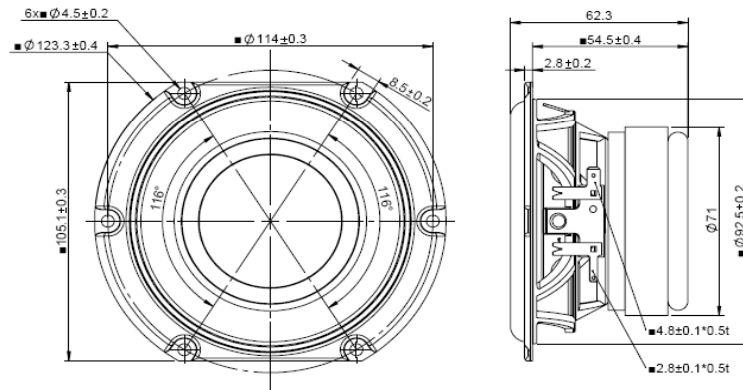


**Product Description:**

The SDS compact subwoofer family offers low resonant frequency performance, ideally suited for compact sealed enclosures. This 4 inch 8 Ω member of the SDS family offer a coated paper cone with rubber surround, a high power voice coil suspended in a ferrite magnet motor, and a narrow-profile steel basket shaped to fit into narrow cabinets.



**Mechanical 2D Drawing:**



**Specifications:**

DC Resistance	$R_{\text{evc}}$	Ω	5.6	±7.5%	Energy Bandwidth Product	EBP	$(1/Q_{\text{es}})f_s$	129
Minimum Impedance	$Z_{\text{min}}$	Ω	6.4	±7.5%	Moving Mass	$M_{\text{ms}}$	g	6.90
Voice Coil Inductance	$L_e$	mH	0.24		Suspension Compliance	$C_{\text{ms}}$	um/N	923.0
Resonant Frequency	$f_s$	Hz	63	±15%	Effective Cone Diameter	D	cm	8.0
Mechanical Q Factor	$Q_{\text{ms}}$	-	4.66		Effective Piston Area	$S_D$	cm <sup>2</sup>	50.3
Electrical Q Factor	$Q_{\text{es}}$	-	0.49		Equivalent Volume	$V_{\text{as}}$	L	3.275
Total Q Factor	$Q_{\text{ts}}$	-	0.44		Motor Force Factor	BL	T-m	5.58
Ratio $f_s / Q_{\text{es}}$	F	$f_s / Q_{\text{es}}$	143		Motor Efficiency Factor	$\beta$	$(T \cdot m^2) / \Omega$	5.61
Half Space Sensitivity @ 2.83V	dB@2.83V/1m	dB	84.8	±1.0 <sup>1</sup>	Voice Coil Former Material	$VC_{\text{m}}$	-	GSV
Sensitivity @ 1W/1m	1W/1m	dB	83.2	±1.0 <sup>1</sup>	Voice Coil Inner Diameter	$VC_{\text{d}}$	mm	25.73
					Gap Height	Gh	mm	6.00
Rated Noise Power (IEC 2685 18.1)	P	W	30		Maximum Linear Excursion	$X_{\text{max}}$	mm	3.00
Test Spectrum Bandwidth	60Hz-5KHz		12 dB/Oct		Ferrofluid Type	FF	-	N/A
					Transducer Size	-	-	4 inch
					Transducer Mass	-	Kg	0.74

1 - Piston Band Sensitivity Tolerance

**Frequency and Impedance Response:**

