

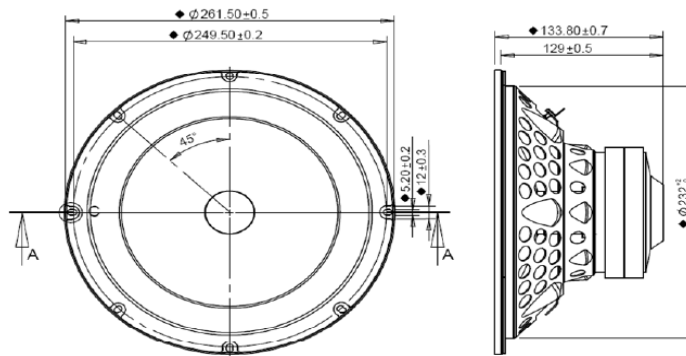


Product Description:

This 10inch 4ohm subwoofer driver, a member of the new SBS product family, features an anodized aluminium cone with inverted rubber surround, offering a unique visual appearance, a rigid steel basket, and double ferrite magnet motor system. The product offers high power handling capacity, geared towards operation in smaller sealed, powered systems.



Mechanical 2D Drawing:



Specifications:

DC Resistance	R_{evc}	Ω	2.1	$\pm 7.5\%$	Energy Bandwidth Product	EBP	$(1/Q_{es}) \cdot f_s$	59
Minimum Impedance	Z_{min}	Ω	3.6	$\pm 7.5\%$	Moving Mass	M_{ms}	g	126.12
Voice Coil Inductance	L_e	mH	1.00		Suspension Compliance	C_{ms}	um/N	179.7
Resonant Frequency	f_s	Hz	33	$\pm 15\%$	Effective Cone Diameter	D	cm	20.0
Mechanical Q Factor	Q_{ms}	-	4.2		Effective Piston Area	S_D	cm ²	314.2
Electrical Q Factor	Q_{es}	-	0.56		Equivalent Volume	V_{as}	L	24.915
Total Q Factor	Q_{ts}	-	0.50		Motor Force Factor	BL	T-m	9.90
Ratio f_s / Q_{ts}	F	f_s / Q_{ts}	66		Motor Efficiency Factor	β	$(T \cdot m^2) / \Omega$	47.04
Half Space Sensitivity @ 2.83V	dB@2.83V/1m	dB	85.2	$\pm 1.0^1$	Voice Coil Former Material	VC _m	-	ASV
Sensitivity @ 1W/1m	1W/1m	dB	79.4	$\pm 1.0^1$	Voice Coil Inner Diameter	VC _d	mm	38.75
Rated Noise Power (IEC 2685 18.1)	P	W	250		Gap Height	Gh	mm	8.00
Test Spectrum Bandwidth	30Hz-200Hz	12 dB/Oct			Maximum Linear Excursion	X_{max}	mm	7.40
					Ferrofluid Type	FF	-	N/A
					Transducer Size	-	-	10 inch
					Transducer Mass	-	Kg	3.16

1 - Piston Band Sensitivity Tolerance

Frequency and Impedance Response:

