

Model No: DA25BG08-04  
 Product Line: Vifa

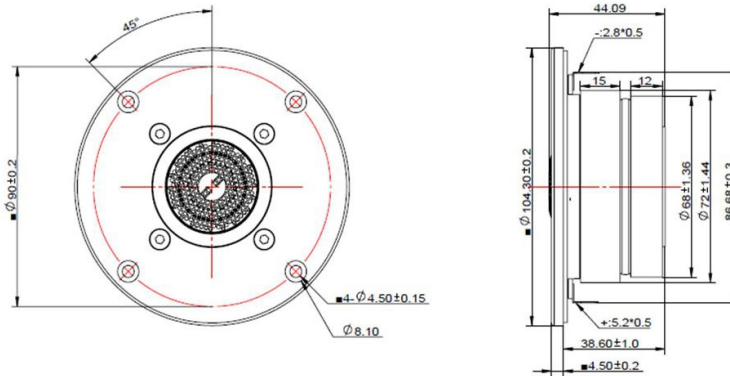
Rev: 1.0  
 Last Update: 2015-10-15 02:44:00

## Product Description

This D family tweeter features an 4 ohm 1 inch voice coil, a treated Al dome, large rear chamber for low resonant frequency, and a ferrofluid-cooled ferrite motor. The large motor and rear chamber allow for robust power handling capacity. The tweeter comes with a faceplate with recessed mounting holes, for easy installation into the desired application.



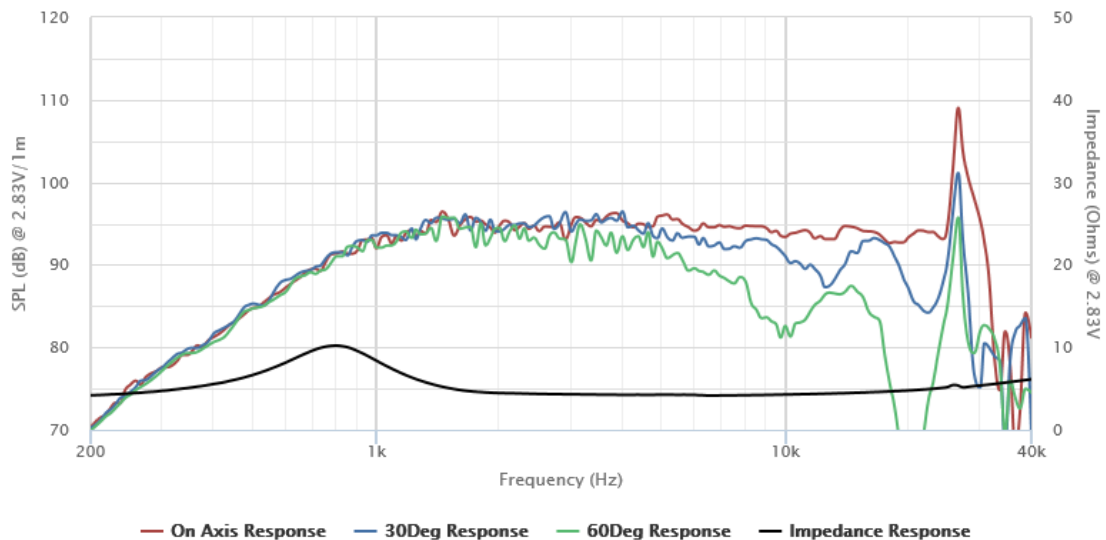
## Mechanical Drawing



## Specifications

DC Resistance	Revc	Ohms	3.1	5.0%	Energy Bandwidth Product	EBP	(1/Qes)*fs
Minimum Impedance	Zmin	Ohms	4.16	7.5%	Moving Mass	Mms	g
Voice Coil Inductance	Le	mH	0.01		Suspension Compliance	Cms	um/N
Resonant Frequency	Fs	Hz	770.18	15%	Effective Cone diameter	D	cm
Mechanical Q Factor	Qms		1.88		Effective Piston Area	Sd	cm²
Electrical Q Factor	Qes		0.82		Effective Volume	Vas	L
Total Q Factor	Qts		0.57		Motor Force Factor	BL	Tm
Ratio Fs/Qts	F	Fs/Qts	1348.83		Motor Efficiency Factor	β	(T*M²)/Ohms
Half Space Sensitivity @2.83V	db@2.83V/1M	dB	94.71	+/- 1.0db	Voice coil former Material	VCfm	ASV
Half Space Sensitivity @1W/1M	db@1W/1M	dB	91.9	+/- 1.0db	Voice coil inner diameter	Vcd	mm
Gap Height	Gh	mm	3		Rated Noise Power	P	W
Maximum Linear Excursion	Xmax	mm	0.7		Test Spectrum Bandwidth	2K-20K	
Ferrofluid Type	FF		APG027n		Transducer Size	Inch	1 in
Transducer Mass	Kg		0.68				

## Frequency and Impedance Response



Highcharts.com